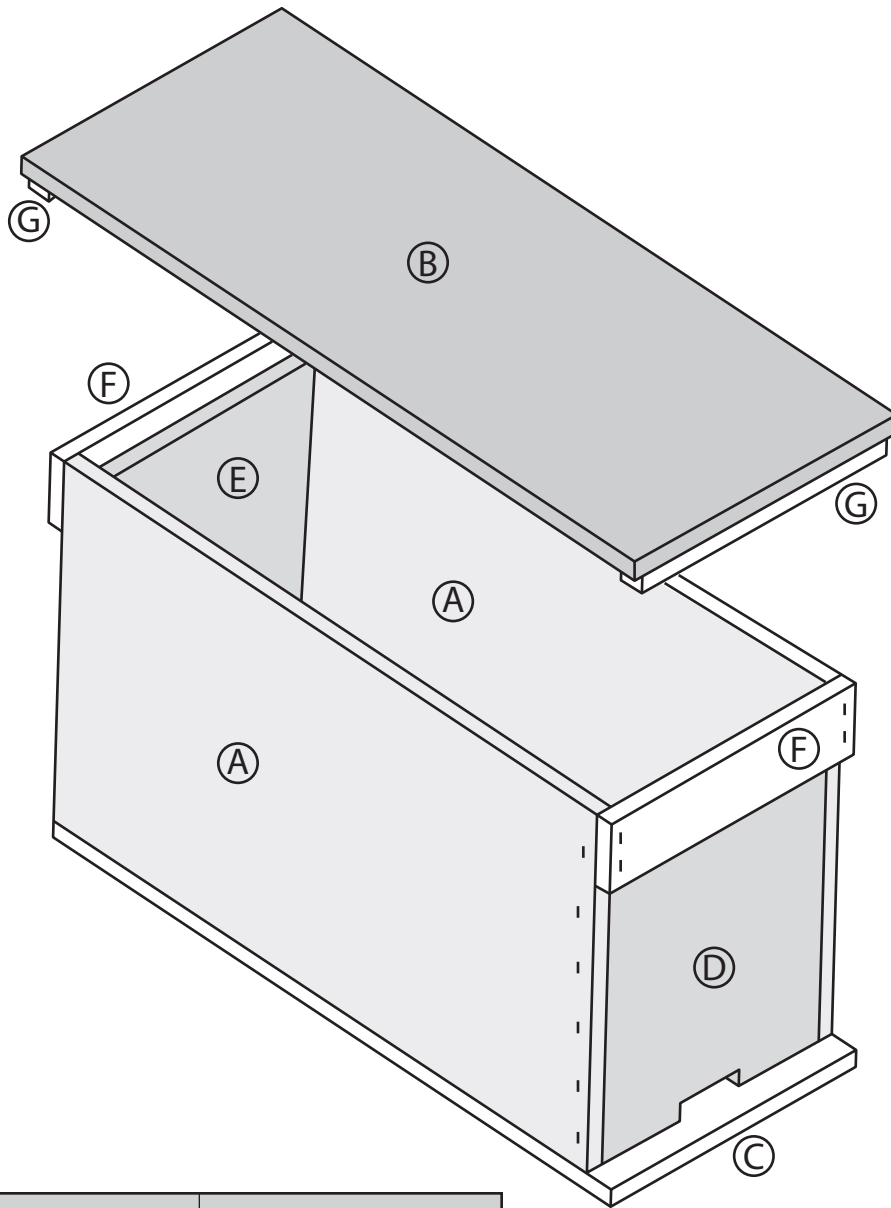


5-FRAME NUC BEEHIVE - D. COATES

CONSTRUCTION DETAILS FOR 4 NUCS MADE FROM ONE SHEET OF
1/2" (12.7mm) THICK PLYWOOD

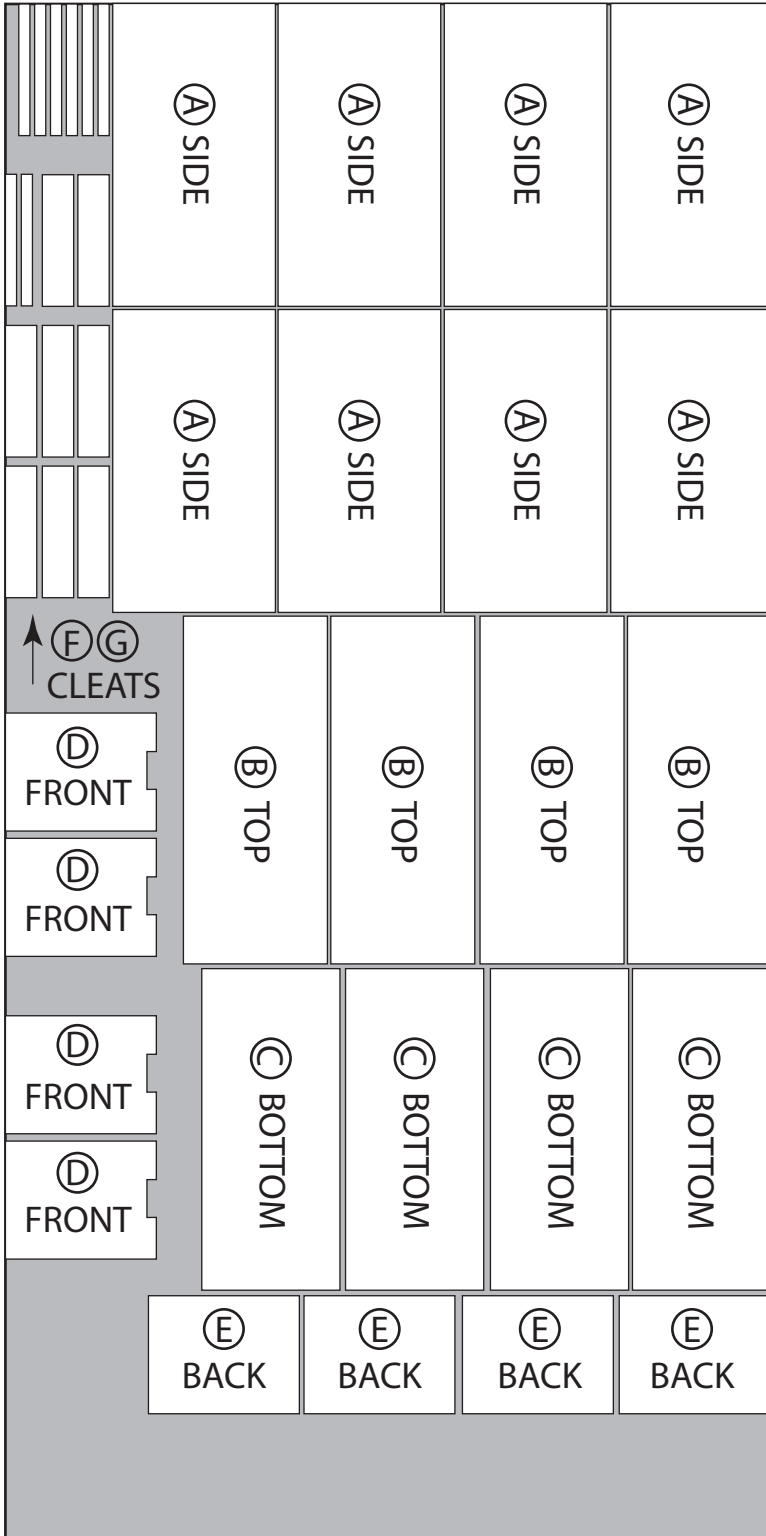


ITEM	QTY.	DESCRIPTION	DIMENSIONS
(A)	8	Side	10-1/4" x 19-1/8"
(B)	4	Top	9" x 22"
(C)	4	Bottom	8-1/2" x 20"
(D)	4	Front	7-1/2" x 9-1/2"
(E)	4	Back	7-1/2" x 9-1/2"
(F)	8	Hive Cleat	8-1/2" x 2"
(G)	8	Top Cleat	3/4" x 8-1/2"

©.2011.BeeSource.com - All Rights Reserved.
info@beesource.com/www.beesource.com
Reproduction for personal and non-profit use only.

5-FRAME NUC BEEHIVE

LAYOUT DIAGRAM FOR 4' x 8' - 1/2" PLYWOOD



ITEM	QTY.	DESCRIPTION	DIMENSIONS
(A)	8	Side	10-1/4" x 19-1/8"
(B)	4	Top	9" x 22"
(C)	4	Bottom	8-1/2" x 20"
(D)	4	Front	7-1/2" x 9-1/2"
(E)	4	Back	7-1/2" x 9-1/2"
(F)	8	Hive Cleat	8-1/2" x 2"
(G)	8	Top Cleat	3/4" x 8-1/2"